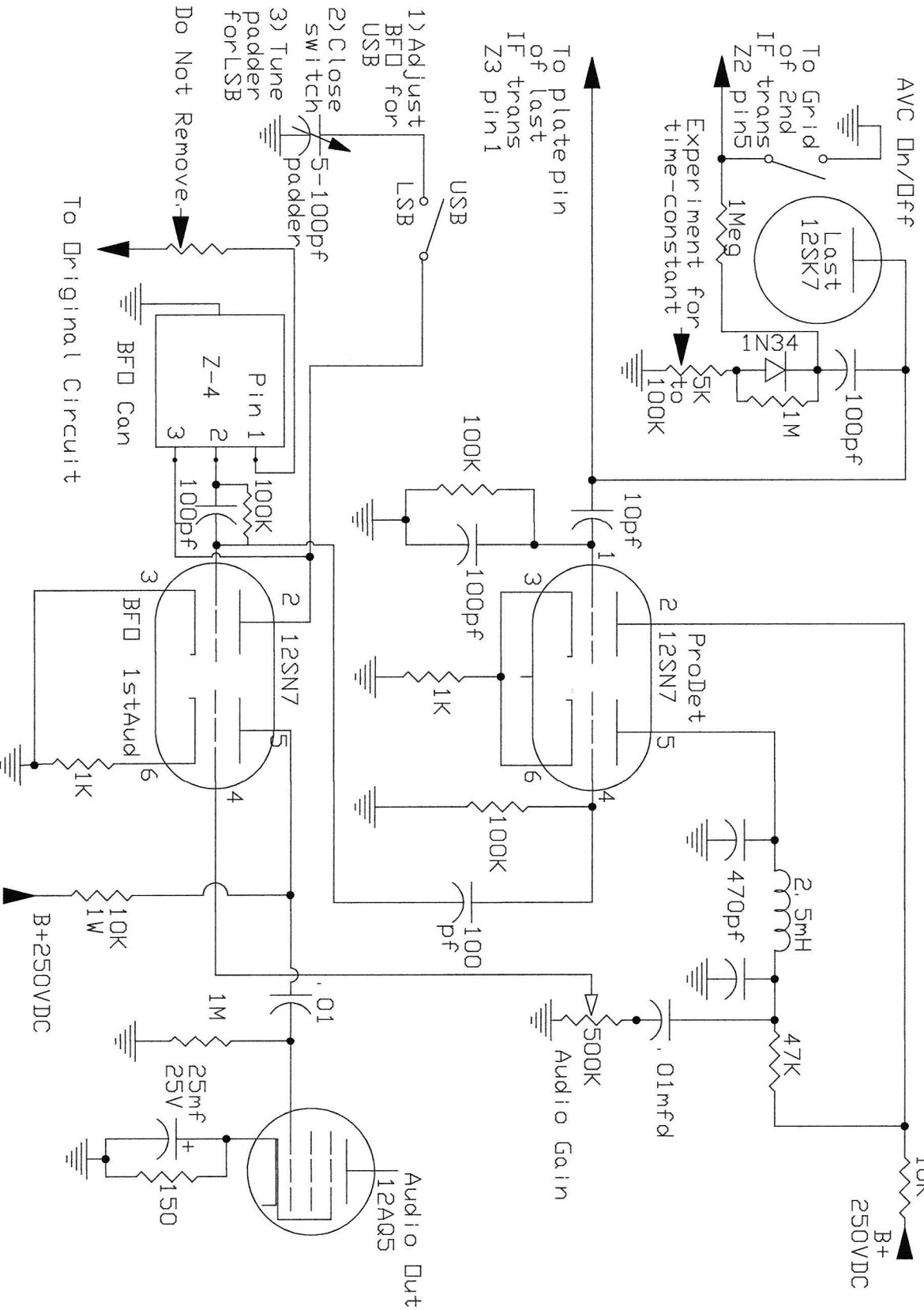


Conversion of BC-453 to "Poor Man's" 75A4
 By: W9GAZ & K9DUI
 Dual-Triode Product Detector --- AVC --- Upper and Lower SSB



1) Adjust BFD for USB
 2) Close switch 5-100pf padder
 3) Tune padder for LSB
 Do Not Remove ->

Convert the BC-453 in the usual manner before adding this circuit. Test. Turn the receiver upside-down with the frontfacing you. Locate the 100K resistor on the first, left-hand terminal board. The inside lead of this resistor is connected to ground. Remove the ground connection. This is important for proper AVC action.